

Opsis Open-path DOAS

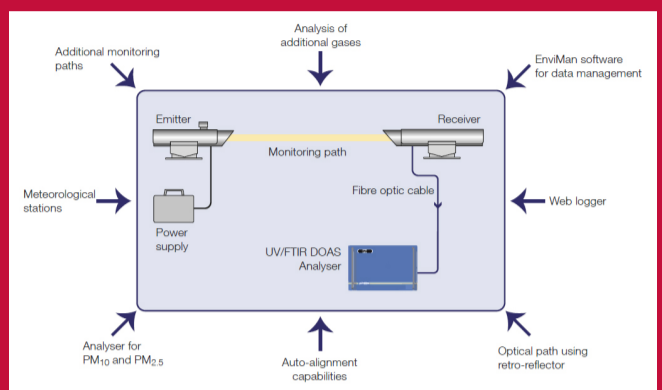
Break with convention



An internationally approved, multi-parameter, monitoring solution.

- Fast, non-contact, direct measurements
- Representative, path averaged data
- Low running costs compared to 'traditional systems'
- Highly reliable, few moving parts
- Absolute minimum LSO requirements
- Multi-gas, multi-path capabilities

System schematic



economic ▶ fast ▶ low maintenance

Click here to see how the Opsis Open-path system has helped Swansea City Council predict and forewarn motorists of high episodes of poor air quality.



Click here to learn more about Opsis Open-path on the Opsis Play site.

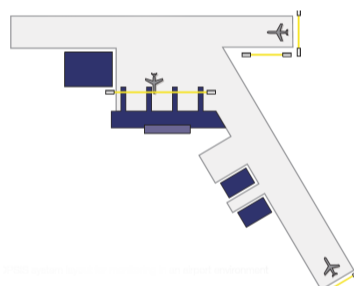
MCERTS
THE ENVIRONMENT AGENCY'S
MONITORING CERTIFICATION SCHEME
Sira MC 160295/00
NO₂, SO₂, O₃

**MCERTS
Approved!**

MCERTS
THE ENVIRONMENT AGENCY'S
MONITORING CERTIFICATION SCHEME
Sira MC 040048/02
Benzene

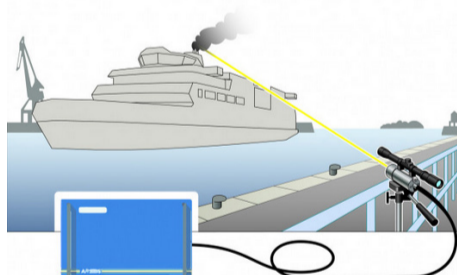
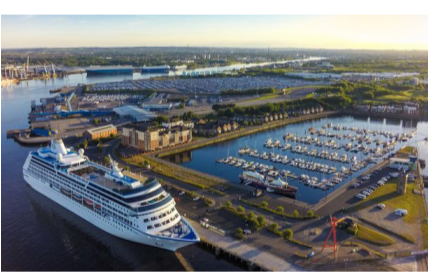
One solution, many applications

Airports



- Multiple measurement paths (i.e. runways, perimeters, roads).
- Measures 'criteria' air pollutants (i.e. NO₂, SO₂, O₃) as well as speciated VOCs and HCs (i.e. from aviation fuel).
- Ability to characterise individual aircraft emissions.

Ports & Harbours



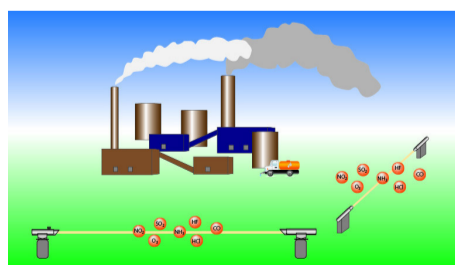
- Multiple measurement paths
- Measures NO₂ and SO₂ emissions from ship engines, auxiliary engines and port vehicles
- Ability to characterise individual ship emissions

Cities



- Multiple measurement paths.
- Measure criteria pollutants NO₂, SO₂ & O₃.
- Other gases can be measured i.e. NH₃ and BTX.
- MCERTS approved NO₂, SO₂, O₃ & Benzene.

Industrial Fenceline



- Multiple measurement paths for perimeter, boundary and fenceline monitoring.
- Fugitive Emissions.
- Multiple gases including organic and inorganic pollutants.
- NO₂, SO₂, O₃, NH₃, BTX and many others.

Emerging future technology for air quality measurement.

For more information on how the Opsis Open-path system can work for you, call to speak to one of our specialists today.

01453 733200

info@et.co.uk

www.et.co.uk